

FEATURES

- Dual Aux. Power 110/220V AC
- High Accuracy 0.2% RO at 23°C± 5°C
- High Dielectric Strength 2.6KV AC/Min,
Between Input / Output/ Power Case
- ABS Plastic Case, DIN Rail or Wall Mounting



*Preliminary data subject to change.

ORDERING : TDA — — — 1 Unit avg. to rms conversion
 TDA-3 — — — 3 Unit avg. to rms conversion
 TDAR — — — 1 Unit True RMS conversion
 TDAR-3 — — — 3 Unit avg. to rms conversion

Input Voltage		Output		Aux. Power	
A	0 ~ 1A AC	A	0 ~ 10mA DC	A	AC 110/220V (Dual Power)
B	0 ~ 5A AC	B	0 ~ 20mA DC	C	DC 24V
C	0 ~ 10A AC	C	4 ~ 20mA DC	D	DC 110V
		D	0 ~ 5V DC	E	DC 125V
		E	1 ~ 5V DC	N	* Self-Power Mode
		F	0 ~ 10V DC	Y	Other
Y	Other	Y	Other		

STANDARD :

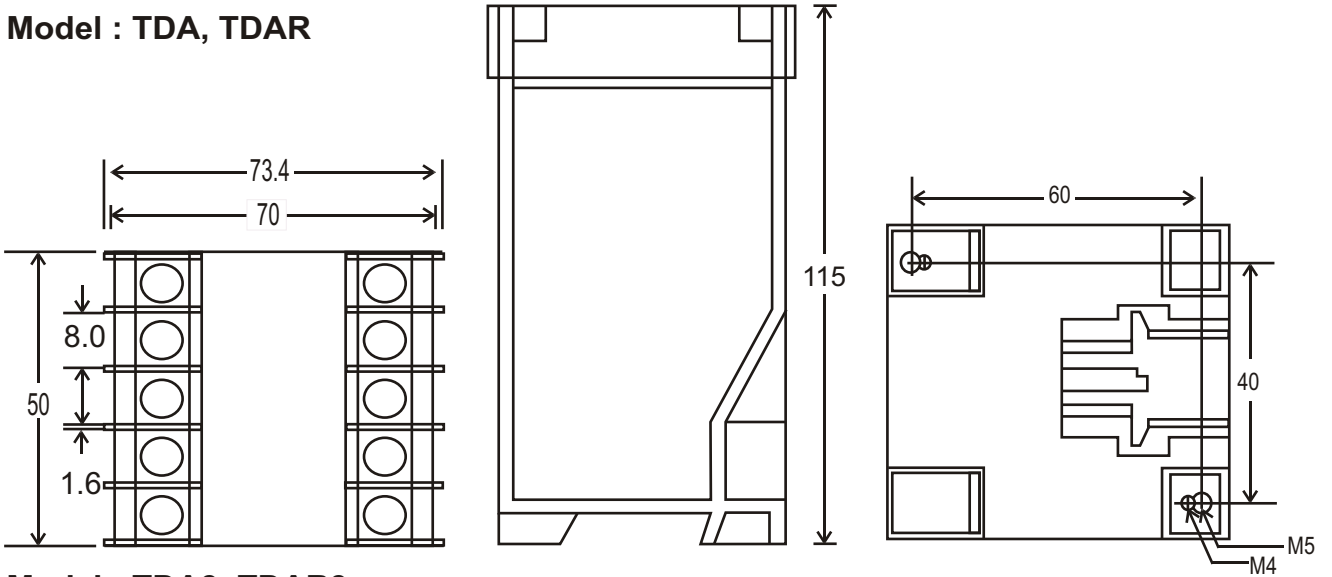
TDA-S INPUT: 0 ~ 5A AC, OUTPUT : 4 ~ 20mA DC, POWER : 110/220V AC

SPECIFICATION

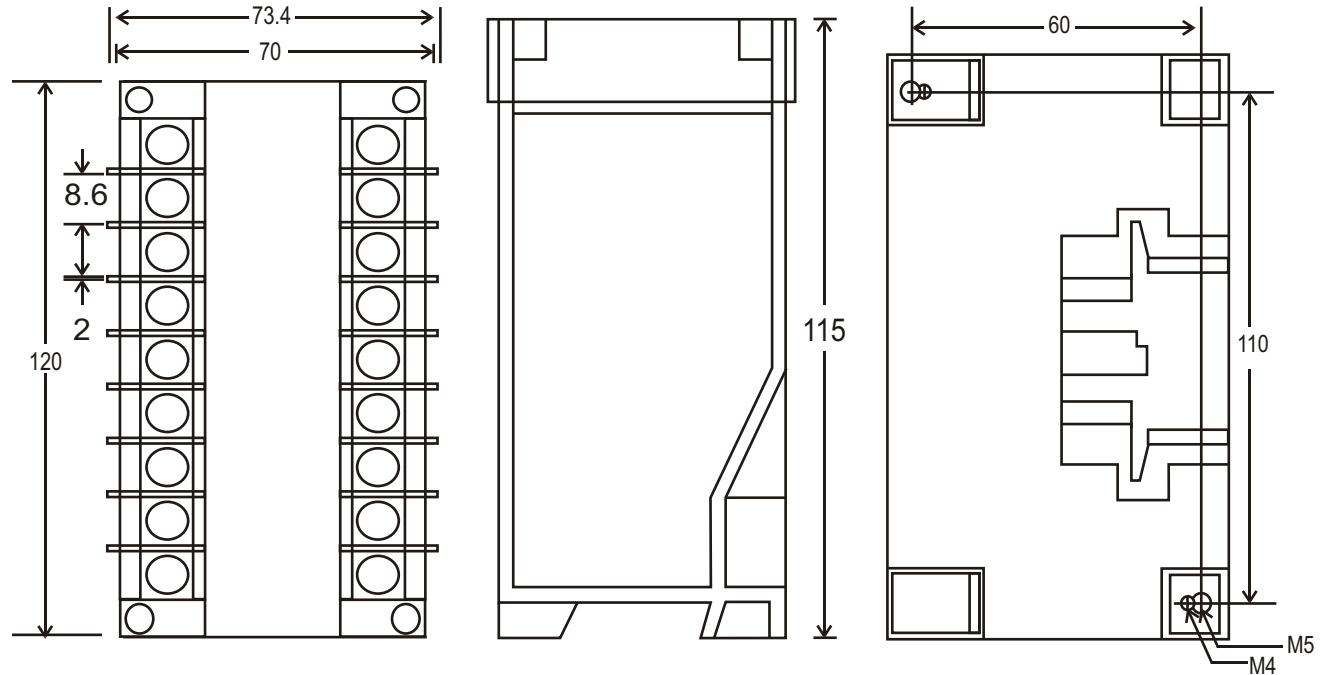
Accuracy	: 0.2% RO at 23°C±5°C (Self-Power Mode 0.25% RO at 23°C±5°C).
Input Burden	: 0.3VA/60Hz, Self-Power Mode 3VA/60Hz.
Frequency	: 45~70Hz or 400Hz.
Input Over	: Normal AC 5A, Current Over 15A Continuous; 50A 10Sec/Hour; 400A 0.5 Sec/Hour.
Output Load	: DC Current Mode : 10V DC Maximum, DC Voltage Mode : 10mA DC Maximum.
Output Protection	: Without Damage for Output Open or Short Circuit.
Dielectric Strength	: 2.6KV AC/1 Min, between Input/Power/Case.
Impulse	: 5KV (1.2X50 S), ANSIC37.90a/1983. DIN, IEC 255-4, IEC 688-1992 2.5KV-0.25mS/1MHz IEC 801-3 (Ring WAVE).
Common Mode Rejection	: > 120db, 50/60Hz.
Stability	: <0.2% / Year.
Calibration	: SPAN and ZERO ± 10%.
Response Time & Ripple(p-p)	: 400mS. 0~99%; 0.5% P-P (STD) or Option.
Magnetic Effect	: DIN-IEE 688 0.005% Change 10" Center 100A-Turn.
Temperature Coefficient	: 100ppm/°C from 0~60°C; 50ppm /23°C ± 3°C
Operating Condition	: -10°C ~ +65°C, 20~95% RH Non - Condensed.
Storage Condition	: -40°C ~ +75°C, 20~95% RH Non - Condensed.
Power Supply	: AC or DC ±20%, 50/60Hz 1 3VA/AC: 3 3VA/AC.
Aux. Power Effect	: <0.01% / V.
Housing Material	: ABS Plastic, Self-Extinguishing to UL Subject 94 Class V-O. Case IP 50 Snap Mounting On DIN EN 50022-35 Or Surface Mounting. Compliance With IEC 529, BS 5490, Din 40054. Protection Touch-Proof Terminals and Enclosure Meeting Requirements Of VBG 4 & VDE 0106 oart 100(Germany).
Mounting	: DIN Rail or Wall Mounting.
Size	: 1 [50 ^W X 115 ^H X 73.4 ^L mm]; 3 [120 ^W X 115 ^H X 73.4 ^L mm].
*Self-Power Mode	: Effective Range 5~150%, Output 0~XmA DC.

Outline Dimension : (Unit : mm)

Model : TDA, TDAR

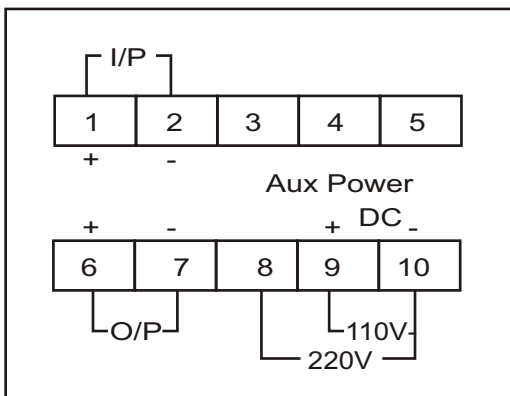


Model : TDA3, TDAR3



Terminal Connection :

Model : TDA, TDAR



Model : TDA3, TDAR3

