



48 x 48

72 x 72

96 x 96

FEATURES

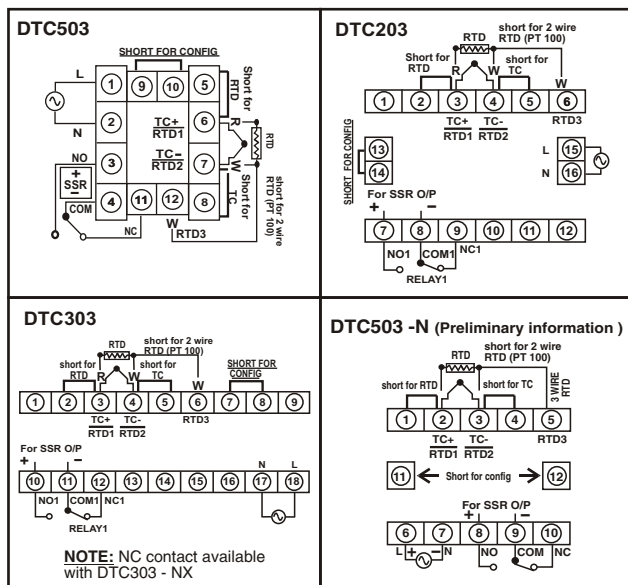
- High indication accuracy: $\pm 0.25\%$.
- Selectable sensor (J, K & PT100).
- Configurable control mode (Proportional & ON/OFF) & parameters (Hysteresis, Band & Cycle time).
- Selectable relay action (Heat / Cool).
- High rating 10A relay.
- Universal supply voltage: 85 to 270 VAC/DC.
- Configuration lock.
- Set point limit.
- Optional against order: 12 VDC output to drive SSR.

PRODUCT CODE

BEZEL SIZE (mm)	MODELS
48 x 48	DTC503
72 x 72	DTC203
96 x 96	DTC303
96 x 96	DTC303NX
72 x 72	DTC221-J DTC221-J is an economical model with fixed setting as follows: Sensor: J type Control mode : Proportional mode / ON-OFF (User selectable) Prop. Band : Fixed - 12 degree, Cycle time: 15 sec, Hysteresis : Fixed 1°C

1. For SSR output models : Add suffix '-SSR'. For eg : DTC503-SSR
2. For 24VAC / DC supply models : Add suffix '-24V' (available in DTC503 only)
3. CE mark models available on request.

TERMINAL CONNECTIONS



SPECIFICATIONS

SENSOR

Sensor type	Temperature range (°C)	Resolution (°C)
J (Fe/K)	-99 to 750	1
K (Cr/Al)	-99 to 999	1
RTD (PT100)	-99 to 850	1

DISPLAY Type: 7 segment LED; Height: 0.5" Digits: 3

CONTROL ACTION

S.No.	Control	Setting	Resolution 1°
1	Proportional	Band	1 to 99
2	ON/OFF	Hysteresis	1 to 99

MANUAL RESET -99 to 99 °C.

ACCURACY (indication) $\pm 0.25\% \pm 1^\circ\text{C}$.

SET LIMIT SETTING Up to maximum limit of set point. Via keys on front panel.

RELAY ACTION a) Heat mode. b) Cool mode.

RELAY STATUS Through LED.

SENSOR BREAK Indicated on display, relay off.

TC REVERSE Indicated on display, relay off.

OUTPUT Relay rating: 10A @230VAC. Optional : 12 VDC, 20 mA to drive SSR.

POWER 85 to 270 V AC/DC. (AC @50 or 60Hz), 2.5VA. Optional: 24 VAC/DC models.

TEMPERATURE Operating: 0 to 50°C, Storage: -5 to 50°C.

HUMIDITY 95% RH.

WEIGHT

Models	Weight (approx)(gms)
DTC503	177
DTC203	275
DTC303/NX	276

DIMENSIONS (in mm)

